



Pure Calf and Foot Spa PL028
Can you feel it?



Operating Manual

The PL028 user manual provides detailed product specifications, operation and warning information. Please read this manual and understand it thoroughly before installation and operation. Keep this manual for future reference.

2017 Prospera Corporation ©, All Rights Reserved.

About Prospera Company

Prospera develops high quality, innovative, affordable massage products— from massage chairs to handheld spas— for active people. Prospera products are available through leading department stores, consumer electronics stores, and major online retailers. Learn more about Prospera at www.prosperacorp.com.

About the PL028 Pure Calf and Foot Spa PL028

The Prospera Deep Basin Pure Calf and Foot Spa soaks away your tension with deep water massage. You and your feet will be energized with shiatsu massage from the large underwater massage hands. The rollers have 3 auto programs to work perfectly on the reflex zones of your feet. Two surfing jets are built in to stimulate your legs and feet. Fill the 14" tall spa with water and turn it on. The two underwater rollers combine with invigorating air bubbles and adjustable hot water (95°F to 118°F) to provide a soothing professional spa-like experience. Set the timer from 10 to 60 minutes with an interval of 10 min and relax. The product is ETL certified, it is completely safe to use and operate. Plugs into an AC outlet. Enjoy the wonder from Prospera Quality Product! You will feel so smooth and beautiful afterwards.

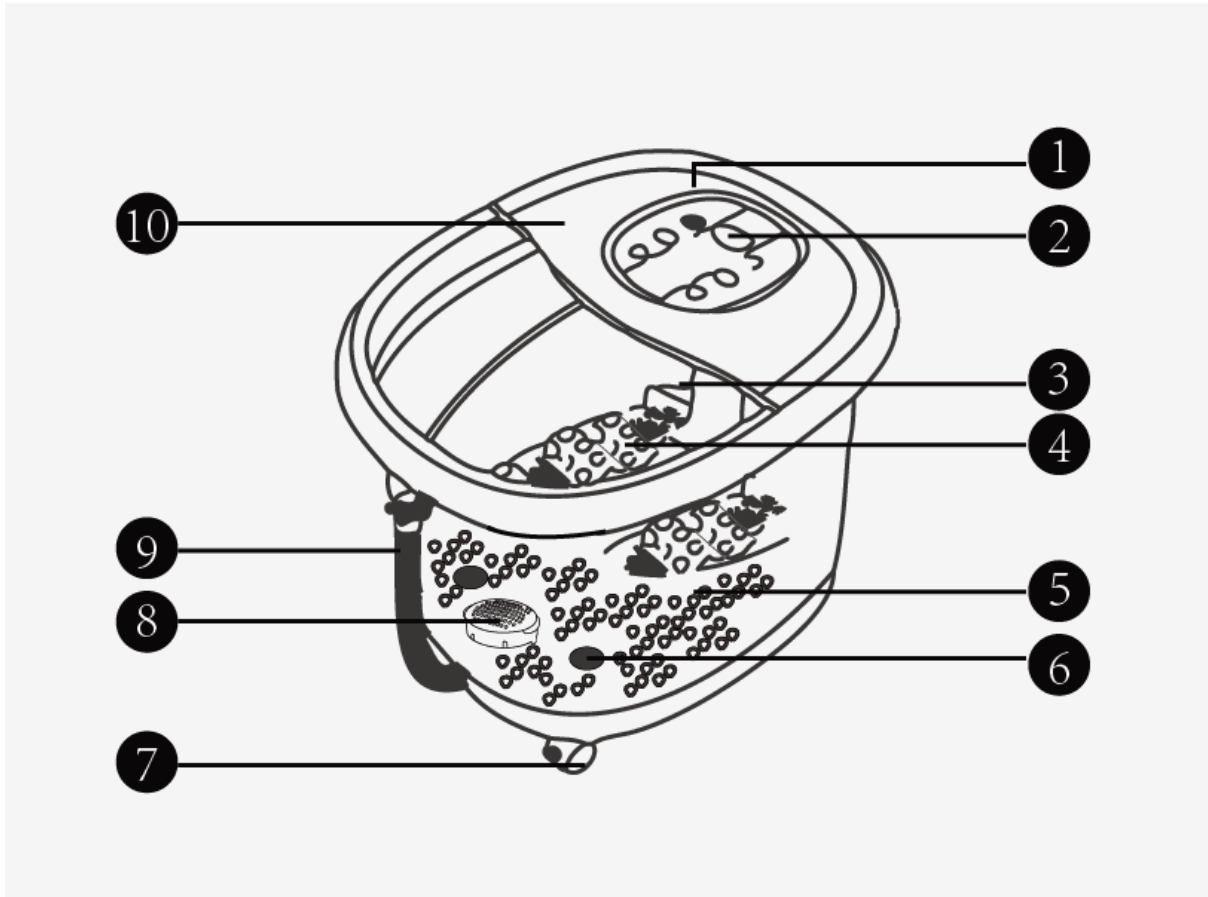
Can you feel it?

Product Specifications

- Heating: 95 °-118°F
- 2 Shiatsu rollers massage your feet
- 3 auto programs, default rolling massage time: 15 minutes
- 2 surfing jets
- Timer: 10 min to 60 min, with 10 min interval, Default time: 30 minutes
- Red light for fun
- Heating and cooling keys to adjust temperature
- Electronic, easy to use and operate
- Ergonomically designed for your legs and feet
- Power: 110V/60Hz, 800W, ETL certified
- Product size 18"x16"x14"
- Weighs 10.6 lbs.
- UPC 185277000448

After you use the spa, please use lotion or wear Prosepra moisturized socks PL028-2 to keep feet warm and smooth. Visit www.prosperacorp.com product for sock's information.

Parts illustration :



- ① -Control panel
- ② -Display screen
- ③ -Surfing jet
- ④ -R oller
- ⑤ -M assage point
- ⑥ -Red light for fun
- ⑦ -C aster
- ⑧ -Filter
- ⑨ -D rain -pipe
- ⑩ -C over

READ AND SAVE IMPORTANT SAFETY INSTRUCTIONS

Read the following safety instructions carefully before installing and using the spa

SAFETY NOTE :



Attention : Never turn on power nor operate this spa without water in the spa bucket.



Attention : This spa is designed for personal and home use only, not for medical or commercial use. Children should not use this spa as a toy.

CAUTION :

- Never turn on the power nor operate this spa without water in the container.
- Do not immerse the spa in water or other liquids for cleaning.
- Do not plug or unplug the power source while your feet are in the water filled spa.
- Always unplug the power source when you fill water or move the spa.
- Do not stand on the cover or floor of the spa. Use it only when you seat on a chair or sofa.
- Do not plug or unplug the power source if your hands are wet. Do not touch the control panel if your hands are wet.
- Do not use the spa if you have wound on legs or feet, do not use it after surgery and you are not yet fully recovered.
- Do not use this spa continuously for more than 60 minutes at a time. The spa has preset working time of 30 minutes. It'll automatically turn off when the time is up.
- Do not use this product while you are sleeping and avoid falling asleep while the product is operating.
- It is recommended not use the spa 30 minutes before or after meal.
- DO NOT use this product as a substitute for medical attention or treatment.
- Always remove the plug from the power outlet after use and before cleaning it.
- Never leave this spa unattended while power is connected.
- Never use the spa close to heater, fireplace, stove or other heating source.
- Supervise operating if sick, or disabled or elderly person is using this spa. This spa is not for children under age 18.
- Never use the spa if the plug or wire is damaged, always keep plug and powerline dry.
- Do not use this spa in sauna room or bath room, or in area with high humidity or wet floor.
- If the spa was not used for a long time, check both interior and exterior before use.
- Extensive use will lead to the product's excessive heating and shorten product life cycle. Always unplug the power source and allow the spa to cool before operating again.
- This product is designed for home use only.

- Unauthorized person is not allowed to repair or replace any components of this spa.

WARNINGS PREVENTION :

1. To avoid excessive stimulation of skin, the spa massage time should not exceed the recommended 60 minutes at a time (default time is 30 minutes).
2. Consult with your doctor before use this spa, if you have any medical concerns.
3. Foot massage should not feel unpleasant. Should pain or discomfort happen, turn off the spa immediately, and consult with your doctor.
4. Over extended massage can hurt your skin, muscle. Maximum time for use the spa is 60 min per day, 4-5 times a week.
5. If you are sick, or you are not able to feel the hot water temperature, or you are undergoing medical treatment, please do not use the spa.
6. Do not operate the spa after taking pain killers, sedatives or alcohol.
7. Person with heart issue, or other serious medical issues should consult with your doctor before use this spa.
8. Person with skin allergy, open wound in the leg and foot should not use the spa.

PREVENTION and REDUCE RISK OF BURNS, FIRE, ELECTRIC SHOCK, OR INJURY TO PERSONS :

1. This spa should not be left unattended when plugged in. Unplug from outlet when not in use.
2. Use spa only for its intended use as described in this manual.
3. Never operate this spa if it has a damaged cord or plug, if it is not working properly, if it has been dropped or damaged, or dropped into water. Return the product to service center for examination and repair. Never try to repair this spa by yourselves.
4. Do not pull this spa by the supply power cord or use the power cord as a handle.
5. Turn all controls to OFF, before removing plug from outlet.



ATTENTION :

- This spa is being tested with water at factory, if there are any water drops left inside the spa, it is normal.
- To speed up water heating time, it is OK to fill warm water into spa bucket, but not hot and steamy water. Water temperature shall be less than 104F.
- Always drain water after each use.

PRODUCT PARTS:

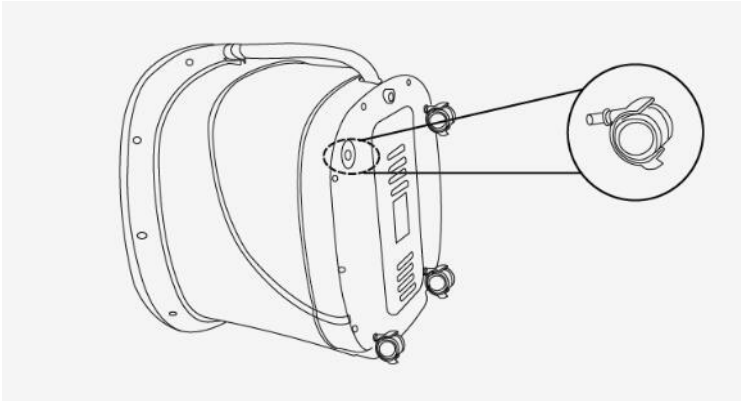
Figure 1: Control Panel



Control Button	Function	Default	Selection
O n / O ff	To turn on or off power		
T e m p +/-	To increase or decrease water temperature	95 °F	95 °F to 118 °F
T i m e r	To set up foot spa time	30 minutes	10, 20, 30, 40, 50, 60 minutes
M a s s a g e	To turn on or off rolling massage	15 minutes	Slow, Fast, rolling speed
R e d L i g h t	To turn on or off red light	Off	red light for fun
L E D s c r e e n	Constantly displays current water temperature inside water container		

INSTALLATION and OPERATION INSTRUCTIONS:

You must fill in water before turning on the spa. Do not operate this spa without water in the spa bucket.

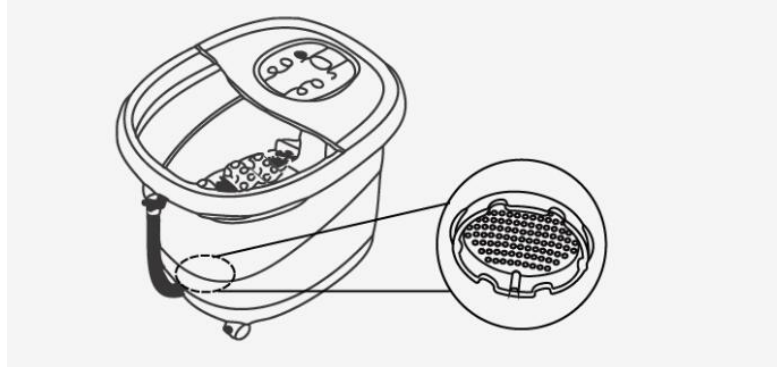
1	Installation	<ul style="list-style-type: none">• Check and make sure there is no damage on power cord and the product when you open the package case.• The spa comes with 4 casters. Two of them have brakes (see below diagram), insert these two in the holes on the bottom of spa near the drain pipe. The other two shall be inserted in the opposite side.• To install the casters, simply push the metal stick into the holes in the bottom of spa corners directly. 
2	Stabilize the Spa	<ul style="list-style-type: none">• Place the spa on flat and dry floor where you want to use.• Make sure the 4 wheels on bottom of spa are stabilized so that the spa will not move around during use.• Make sure you are seated on a chair or sofa before starting.• Do not plug in power cord to the power outlet now.
3	Filling in Water	<ul style="list-style-type: none">• You must fill in water <u>before</u> turning on the foot spa. Never try to operate this spa without water in the bucket.• Filling in water with a water bucket or a clean pot. Do not have your spa under faucet directly to fill water.• Be careful NOT to spill water on the control panel.• To speed up water heating, you can fill in warm water but the warm water temperature shall be lower than 104F.

		<p>Water Level:</p> <ul style="list-style-type: none"> • It is recommended to fill in water up to 50% -60% (just about over half full) of the entire bucket. • The maximum water level is 70% of the water container. • Total not exceeding 4 Gallons of water. It'll affect the water jets surfing function • Plug in power cord to the power outlet.
4	ON/OFF	<ul style="list-style-type: none"> • Press ON/OFF button once to turn on power, the two-digit LED display immediately shows the current water temperature inside the water container. • The default spa massage time is 30 minutes once the power is turned on. (Figure 1). You can use Timer to increase spa massage time (up to 60 minutes). • The default maximum water heating temperature is 95°F once the power is turned on. • Heating function is ON automatically if the current water temperature is lower than its default 95°F .
5	Heating	<p>Automatic water temperature balancing system :</p> <ul style="list-style-type: none"> • The default maximum water heating temperature is 95°F once the power is turned on. • If the just-filled-in water temperature is lower than 95, the Heating function will be turned on automatically and stopped when its water temperature reaches 95°F . When its water temperature cools down below 95°F , the Heating function will be turned on automatically again, and so on. • When the water temperature reaches its default maximum temperature (95°F), the Keep Warm function takes effect. <p>Note: the Heating function will not be on if your fill-in water temperature is already higher than its default maximum 95.</p> <p>Changing the Default Water Heating Temperature:</p> <ul style="list-style-type: none"> • If you prefer to change its default maximum water temperature to be higher than 95°F , you can press the TEMP + / TEMP - to reset the maximum water heating temperature. • The highest heating temperature you can set is 118°F . • The lowest heating temperature you can set is 95°F .
6	Temp +/-	<p>When to use Temp +/- :</p> <ul style="list-style-type: none"> • The Temp +/- button can be used to change maximum water heating temperature under any massage modes. • Press TEMP + to increase water heating temperature you want (such as 115°F). After 3 seconds, your just-set temperature will disappear from LED screen, and its LED

		<p>display will switch back to show its current water temperature.</p> <ul style="list-style-type: none"> • Press TEMP - to decrease water heating temperature (such as 100°F). After 3 seconds, your just-set temperature will disappear from LED screen, and its LED display will switch back to show its current water temperature. • To protect the heating spa, it is recommended NOT to set temperature to the maximum level (118°F). <p>Minimum and Maximum Water Temperature:</p> <ul style="list-style-type: none"> • The highest heating temperature you can set is 118°F . • The lowest heating temperature you can set is 95°F . • If you do not press the Temp +/- button to adjust the default heating temperature, the water temperature will stay at 95°F (default setting). • The Automatic Water Temperature Balancing System will be initiated to turn on/off the Heating function automatically to keep water temperature at 95°F .
7	Two-Digit display	<ul style="list-style-type: none"> • When the power is turned on, the LED screen displays its current water temperature inside water container and its default working time (30 minutes).
8	Red Light	<p>Press Red Light button to turn on red light for fun:</p> <ul style="list-style-type: none"> • Press Red Light button once: red light is on. • Press Red Light button twice: red light is off.
9	Massage	<ul style="list-style-type: none"> • Press Massage button to turn On/Off rolling massage function. • Default time for rolling massage is 15 minutes. • Massage mode: 3 massage modes to choose for slow or fast rolling massage speed.
10	Timer	<ul style="list-style-type: none"> • Default spa massage time is 30 minutes. • Press Timer button to choose 10, 20, 30, 40, 50, 60 minutes. • It is recommended NOT to use the spa for more than 60 minutes continuously. Always take 10 to 15 minutes break after each cycle.
11	Turn off power	<ul style="list-style-type: none"> • Press the ON/OFF button to turn off power completely. • Unplug the spa from outlet.
12	Water Drainage	<ul style="list-style-type: none"> • This spa has static water drainage. • You MUST unplug the spa from outlet before drainage. • After each use, before trying to drain out water, always turn off all functions on control panel before drainage. • Drain the spa in bath room or put a water bucket under the water drainage pipe; make sure no water will spill to floor. • Release the Drainage Pipe from its case and lower it to bath tub or the water bucket to start draining out water.

		<ul style="list-style-type: none"> • Lock back the drainage pipe to the case after finishing drainage. <p>Attention :</p> <ul style="list-style-type: none"> • There may have small amount of water left inside water container after drainage. Use a dry towel to clean up. • Never try to pour out water by lifting over the water container.
13	Water Jet	<ul style="list-style-type: none"> • Water Jet is located inside the water container under the control panel. • Water jet surfing is stronger when the water level is lower.
14	Pull Handle	<ul style="list-style-type: none"> • The Pull Handle is for you to move the spa around on hard, flat floor. • Its maximum capacity is 50 lbs. • It is recommended that you drain out water before pulling the spa, if the floor is not hard and flat (such as on carpet). • Always lock back the pull handle onto the case after each use. • NEVER use the pull handle to lift up and carry the spa around.
15	Clean up	<ul style="list-style-type: none"> • Make sure your hands are not wet when unplugging power cord from outlet. • After each use, before trying to clean up the container with dry towel, always turn off power on control panel and unplug the power cord from wall outlet first. • Allocate power cord properly to make sure not to immerse water. • Do not use the power cord as a hanger to pull or drag away the spa. • Use only soft, dry towel to clean up the control panel or the water container.

- Every 4-5 times you use the spa, filter may need to be cleaned. You may fill in clean water and turn on the spa for about 2 to 4 minutes and then drain out water from its drainage pipe, to clean up its filter and water pipe.

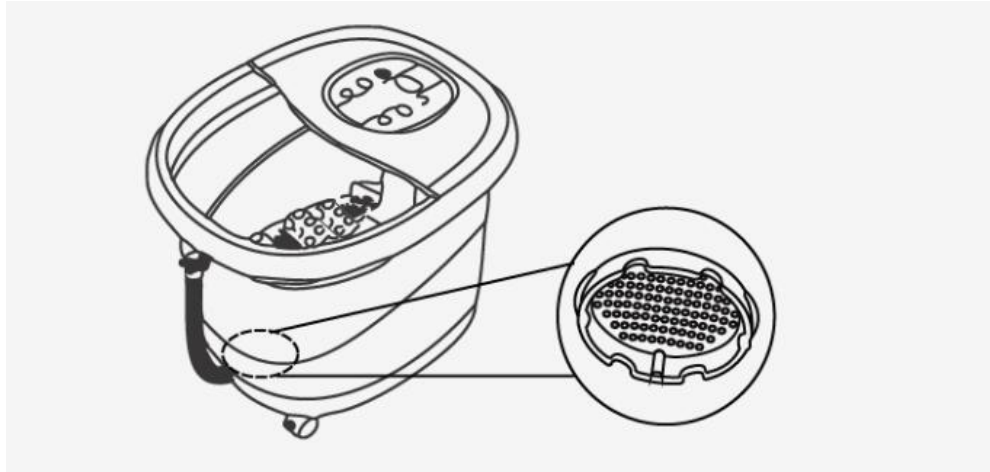


- If stuff accumulates, filter has 2 ears (illustrate above), simply grip the 2 ears to pull the filter out, and clean it.
- We do not recommend you use any salts and herbs in your water to preserve the spa features and longevity. If you must use bath salt, herbal bag, and other spa detergents, try to clean up right after each use to make sure the filter is not blocked.

Cleaning and Maintenance

- Before cleaning, you must turn off the spa and unplug the power cord from the electric outlet.
- Make sure the water drainage valve is closed and the power cord is properly stored onto the back of the case.
- It is recommended always drain out water using the water drainage valve; do not pour out water over the control panel or cover.
- Clean the water container only with a soft, dry towel. Never use strong abrasives, detergents or cleaning agent for cleaning.
- Do not immerse the spa in water or under faucet to do cleaning or filling in water.

- If you use bath salt, herbal bags, and other spa detergents, try to clean up right after each use to make sure the filter and water pipe is not blocked. To clean up, you can fill in some clean water and turn on the massaging function for 1 minute and follow the water drainage procedure to drain out water.



Filter has 2 ears, simply grip the 2 ears to pull the filter out.

Storage

- Unplug the spa from electric outlet and allow it to cool down and dry.
- Store it in its box or in a clean, dry place.
- Do not drag or hang the spa with the power cord.
- This spa appliance is designed for indoor use only.
- Do not the appliance close to fireplace or other heating sources.

Troubleshooting:

Problem	Cause	Solutions
Water jets not working	Water filter or valve is blocked.	Check and clean up the water filter and water drainage pipe if necessary.
Heating not working	Heating function is turned off. It may reach the preset maximum water temperature. The adjusted highest water temperature may be too low. The current water temperature in the bucket is already higher than your preset water temperature.	Press the Temp+ to adjust the preset highest water temperature.

Spa stops working	Preset working time is up (max. is 60 minutes).	Try to unplug the power source completely for a while and plug in the power again.
	Auto shut off for protection when using too long time.	Try to unplug the power source completely for a while and plug in the power again.
	Water drainage valve is not closed.	Check and make sure the water drainage valve is closed.
	The water temperature is higher than your preset highest temperature.	Try to fill in cold water to cool down the water temperature. Or, reset to the highest water temperature.
	Rolling massage is over-used.	Turn off the spa completely and let it cool down for a while before using it again
water jet not strong enough	Water level can affect the water jet	Try to turn on massage function and wait for a while Try to lower the water level

Note: This product is not intended to treat, cure, or prevent any disease.

Consumer Limited Manufacturer's Warranty

Prospera warrants the Covered Product to be free of all defects in material and workmanship for 90 days from date of purchase. This warranty extends to the original buyer (only or and each successive buyer within the warranty period). Labor and parts are included during warranty period. Consumers are required to provide model number and dated proof of purchase (sales receipt) when contacting Prospera for the warranty service. This warranty is valid for all US customers in the 48 continental states, and two non continental states: Alaska and Hawaii.

Within the period of this warranty, Prospera will repair or replace, free of charge, any part proving defective in material and workmanship. All warranty repairs and service must be performed by Prospera authorized technician and service facility.

All expenses related to replacing or repairing a defective part under this warranty shall be assumed by Prospera. In except for the following expenses, which shall be assumed by the buyer:

Warranty exclusions:

This warranty does not apply to any costs, repairs, or services for the following:

1. Repairs necessitated by use other than normal home use.
2. Damaged resulting from misuse, abuse, accidents, alternation or improper installation.
3. Corrective work necessitated by repairs made by anyone other than Prospera authorized service technicians.

Non-warranty service is provided on a "per incident" basis. Consumer will verify that the product has failed and provide information for servicing the unit. All applicable repairs, parts, shipping, handling, local tax and "per incident" fees will be charged for non-warranty repairs and support calls.

For warranty service, please call 925-225-0888, M-F, 8:00am to 4:00pm, Pacific Standard Time. Or send email to sales@prosperacorp.com. Consumer may also mail service request to this address:

Prospera Corporation
Warranty Service
448 Commerce Way
Livermore, CA 94551

Warranty card

Warranty Registration Form

Product Name: _____

Product Model: _____ Purchase Price: _____

Date of Purchase: _____ Retailer: _____

First Name: _____ Last Name: _____

Address: _____

City: _____ State: _____ Zip: _____

Phone: _____ Email: _____

Signature and date: _____

Please mail to: sales@prosperacorp.com

Prospera Corporation Tel: (925) 225 0888

448 Commerce Way

Livermore, CA 94551

www.prosperacorp.com